

BRAKING TECHNOLOGY

perfected for Energy...

WIND • SOLAR • FOSSIL

EMTorq precision manufactured brake products provide field-proven performance for energy customers worldwide...



Solutions for Wind Turbine Yaw, Pitch and Rotor Applications

- Electromagnetic Spring-Set Caliper Brakes
- Electromagnetic Spring-Set Brakes

Solutions for Solar & Fossil Fuel Applications



- Electromagnetic Spring-Set Brakes
- Certified flame proof to IEC 60079-0 and IEC 60079-1 units for hostile environments
- Robust and reliable brakes are available in IEC and NEMA mounting
- IP66 Marine Duty enclosures available

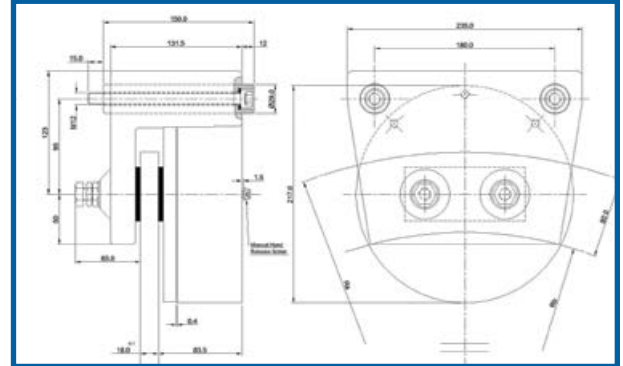


EMTorq provides stock and custom braking solutions for a variety of applications including wind turbines, marine winches, robotics, machine tool axes, automation indexing, conveyors, cranes, lifts and more...

Wind Power Braking Solutions

Electromagnetic Spring Set Caliper Brakes

- Direct Acting
- Few Working Parts
- Fast Reaction Time
- Low Maintenance
- Non Asbestos Lining
- Easy Assembly and Mounting
- Fail-Safe Design provides True Power-Off Braking



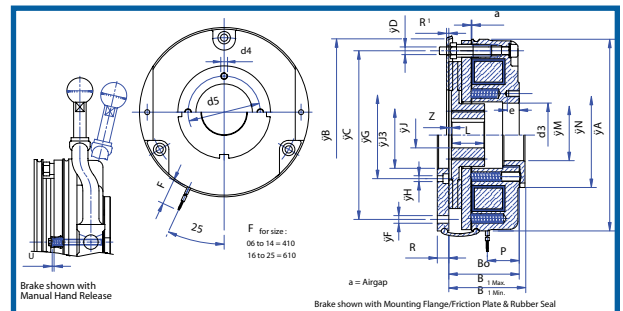
Electromagnetic Spring Set Caliper Brakes

Design	Friction Force Fr	Friction Force Fr	Rm Min	Rm Max	Hold Power
EMCA-14	Standard 2800N	Boosted 3300N	165 mm	450 mm	80 W
EMCA-18	Standard 4800N	Boosted 5500N	165 mm	450 mm	110 W

Wind, Solar Power and Fossil Fuel Braking Solutions

Electromagnetic Spring Set Brakes

- Direct Acting
- Fast Reaction Time
- Non Asbestos Lining
- Optional Manual Release
- Low Inertia of Rotating Parts
- Few Working Parts
- Long Service Life
- Coil with Class F Insulation



Model 41.458 Electromagnetic Spring Set Brakes

		Parameters								
Size		06	08	10	12	14	16	18	20	25
Torque	M rat. [Nm]	4	8	16	32	60	80	150	260	400-800
Max. Speed	rpm [min]-1	3000	3000	3000	3000	3000	3000	1500	1500	1500
Input Power	P20 [w]	20	25	30	40	50	55	85	100	110



A DIVISION OF TORQUE TECHNOLOGIES
 Spring Set Brakes • Industrial Electromagnetic Clutches
 Brakes • Clutch-Brake Combinations
emtorq.com



Address:
 1623 W. University Parkway
 Sarasota, FL 34243 USA

Toll Free: 1-800-813-0844
 Phone: (941) 358-9447
 Fax: (941) 358-9647

Email: sales@emtorq.com
Web: www.emtorq.com