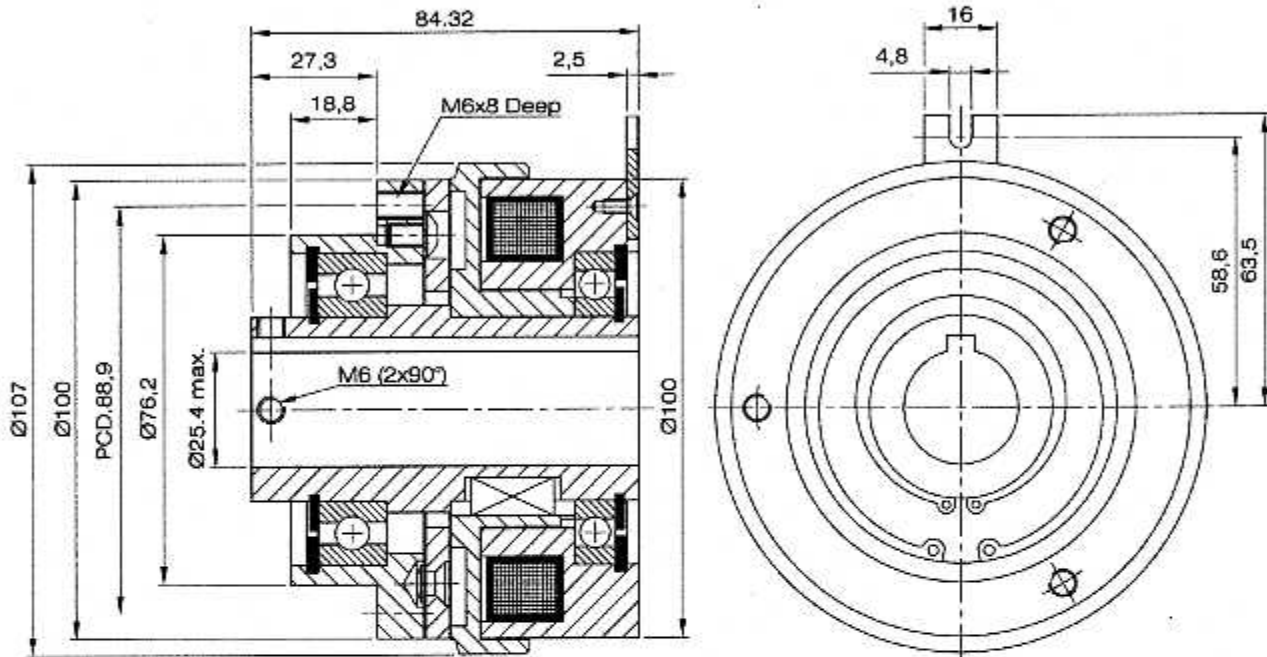




**Emco
Dynatorq**

Title: **Shaft Mounted
Electromagnetic Clutch (Normally Off)
Type : 41.105.10 Design 3.5**

Reference:



Static Torque : 27Nm.
Rated Voltage : 96 VDC
Coil Power : 28 WATTS (20°C)

Projection First Angle

All dimensions are in mm.