

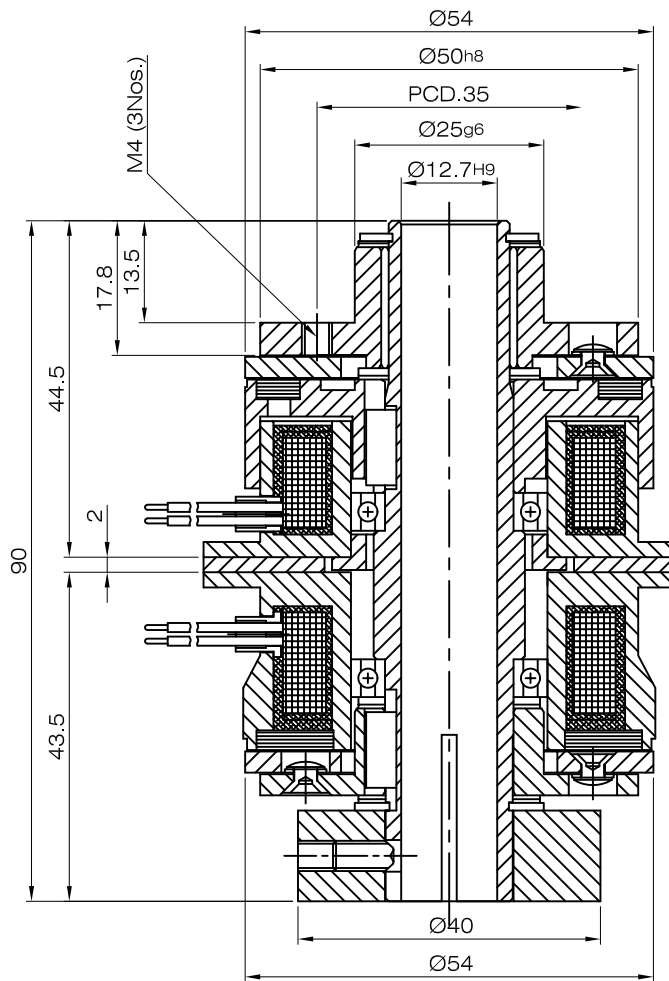
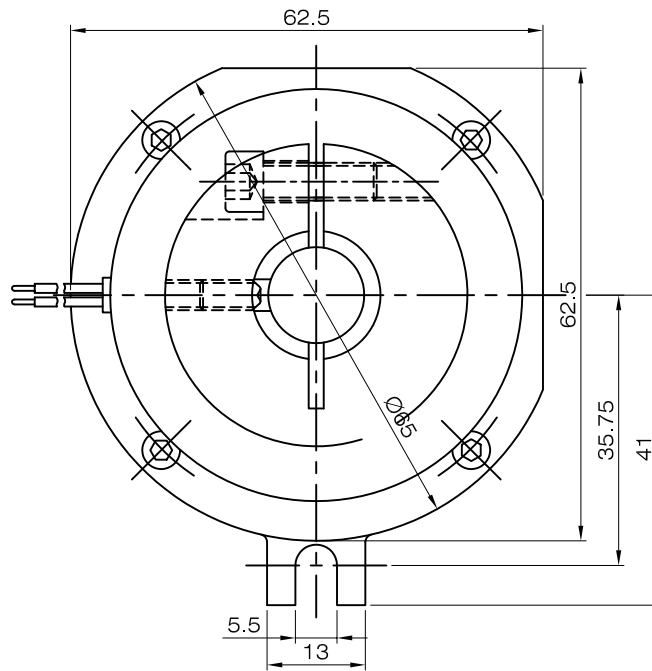


**Emco
Dynatorq**

Title: **Hollow Shaft Clutch Brake Combination**
Type 41.200.05 (Normally Off)

Reference:

DIMENSIONS



Sr.No.	Description	Clutch Specification	Brake Specification
3	Torque	3.6 Nm	4.5 Nm
2	Coil Watts at 20°	10	10
1	Coil Volt	96 VDC	96 VDC

IMPORTANT :

M rat.: Rated Brake torque in Nm, referred to = 100 min⁻¹
1 Nm = 0.102 kgm = 0.737 lb. ft.
Standard voltages: 96 V.D.C.; 110 V.D.C.; 190 V.D.C.
Other voltages on request.
Rated voltage +5% to -10%

All dimensions are in mm.