





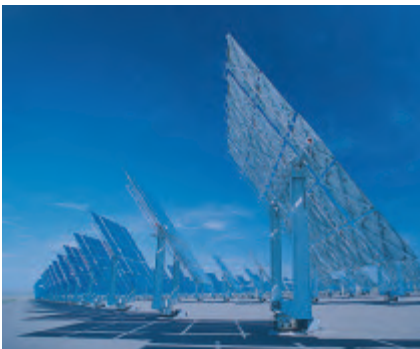
Brake Solutions for Energy...WIND • SOLAR • FOSSIL

EMTorq precision manufactured products provide field-proven performance for customers worldwide...





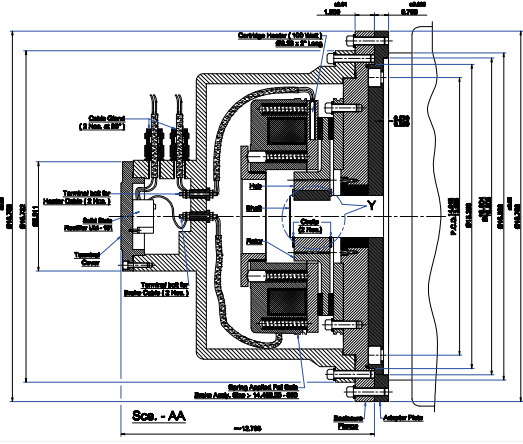

Brake Solutions for Wind Turbine Yaw, Pitch and Rotor Applications

- Electromagnetic Spring Set Caliper Brakes
- Electromagnetic Spring Set Brakes

Brake Solutions for Solar and Fossil Fuel Applications

- Electromagnetic Spring Set Brakes
- ATEX Explosion-proof units for hostile environments
- Robust and reliable brakes are available in IEC and NEMA mounting
- IP66 Marine Duty enclosures available

EMTorq provides stock and custom braking solutions for a variety of applications including wind turbines, marine winches, robotics, machine tool axes, automation indexing, conveyors, cranes, lifts and more.



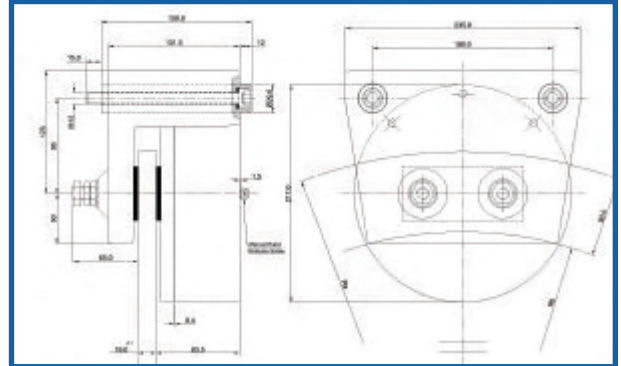
Brake Solutions for Energy
WIND • SOLAR • FOSSIL

Other Models Available, Please Call

Wind Power Braking Solutions

Electromagnetic Spring Set Caliper Brakes

- Direct Acting
- Few Working Parts
- Fast Reaction Time
- Low Maintenance
- Non Asbestos Lining
- Easy Assembly and Mounting
- Fail-Safe Design provides True Power-Off Braking



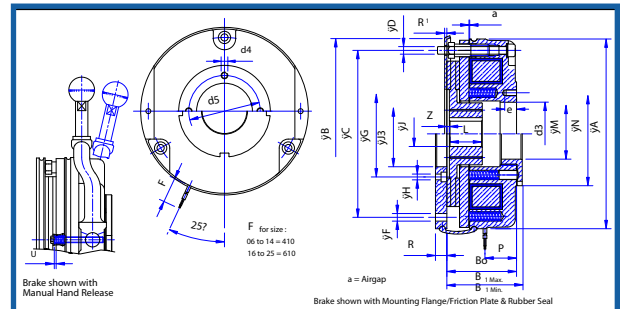
Electromagnetic Spring Set Caliper Brakes

Design	Friction Force Fr	Max. Disc Dia.	Power	Hold Power
EMCA-18	5500 N	900 mm	400 w	100 w

Wind, Solar Power and Fossil Fuel Braking Solutions

Electromagnetic Spring Set Brakes

- Direct Acting
- Few Working Parts
- Fast Reaction Time
- Long Service Life
- Non Asbestos Lining
- Coil with Class F Insulation
- Optional Manual Release
- Low Inertia of Rotating Parts



Electromagnetic Spring Set Brakes

		Parameters								
Size		06	08	10	12	14	16	18	20	25
Torque	M rat. [Nm]	4	8	16	32	60	80	150	260	400-800
Max. Speed	rpm [min]-1	3000	3000	3000	3000	3000	3000	1500	1500	1500
Input Power	P20 [w]	20	25	30	40	50	55	85	100	110



PRECISION • PERFORMANCE • SOLUTIONS

A DIVISION OF TORQUE TECHNOLOGIES
 Spring Set Brakes • Industrial Electromagnetic Clutches •
 Brakes • Clutch-Brake Combinations

Mailing Address:
 P.O. Box 25008
 Sarasota, FL 34277-2008 USA

Warehouse Address:
 1623 W. University Parkway
 Sarasota, FL 34243 USA

Toll Free: 1-800-813-0844
Phone: (941) 358-9447
Fax: (941) 358-9647
Email: sales@emtorq.com
Web: www.emtorq.com