



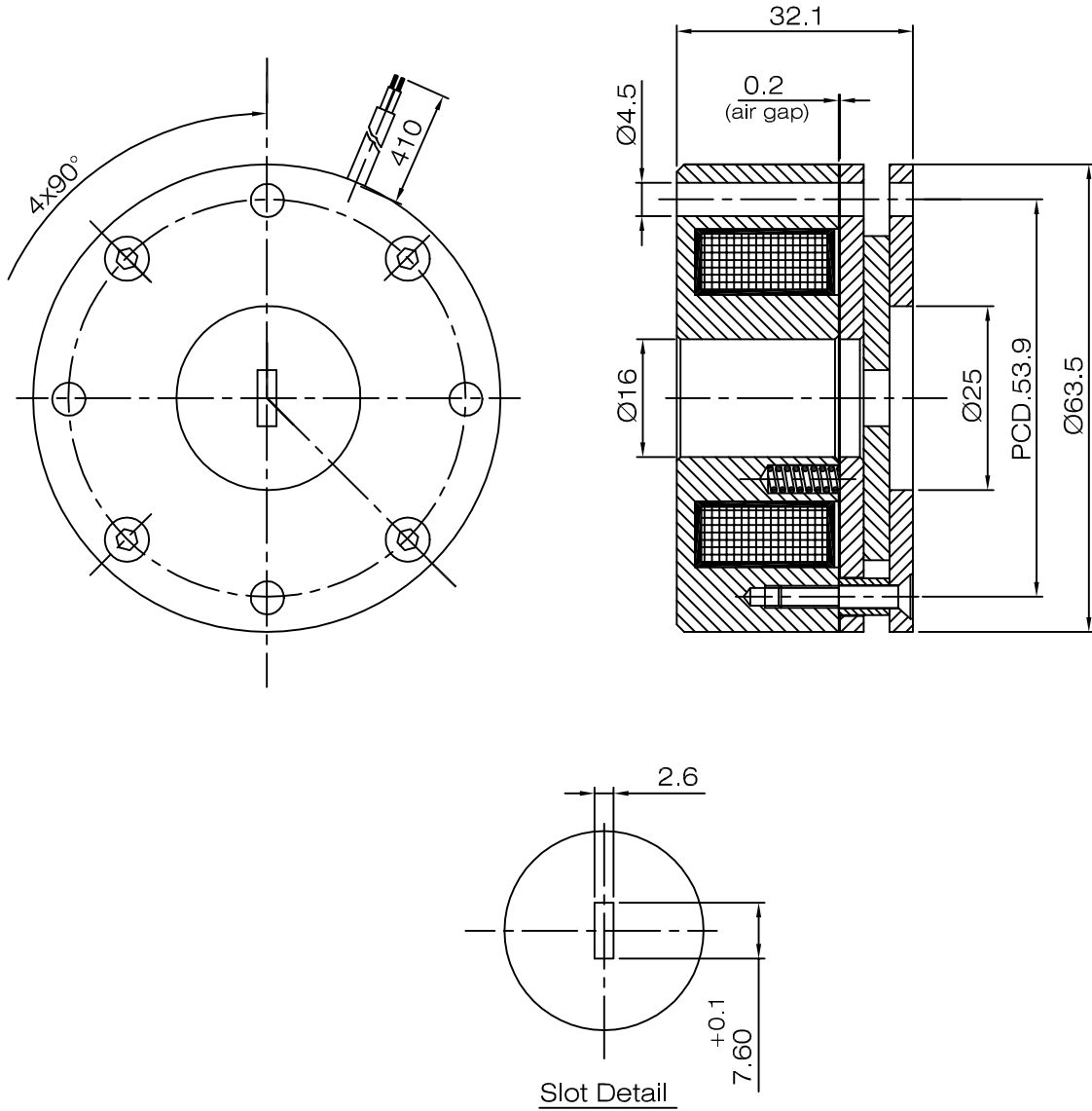
**Emco
Dynatorq**

Title:

**Spring Applied Brake Assly.
41.457.04**

Reference:

DIMENSIONS



3	Torque	0.8 Nm
2	Coil Watts at 20°	10
1	Coil Volt	90 VDC
Sr.No.	Description	Specification

Customer :- M/s.Torque Technologies

Projection First Angle

All dimensions are in mm.

Drawn	<i>Nutan</i>
Appr.	
Date	16.09.10

Ref.-	DN Part No. CMLA-854-2
-------	------------------------

Drg.No.	41.457.04-117
Sheet	1 Of 1

THIS DOCUMENT IS THE PROPERTY OF EMCO DYNATORQ PVT. LTD. UNAUTHORISED DISCLOSURE TO ANY THIRD PARTY OR DUPLICATION IS NOT PERMITTED